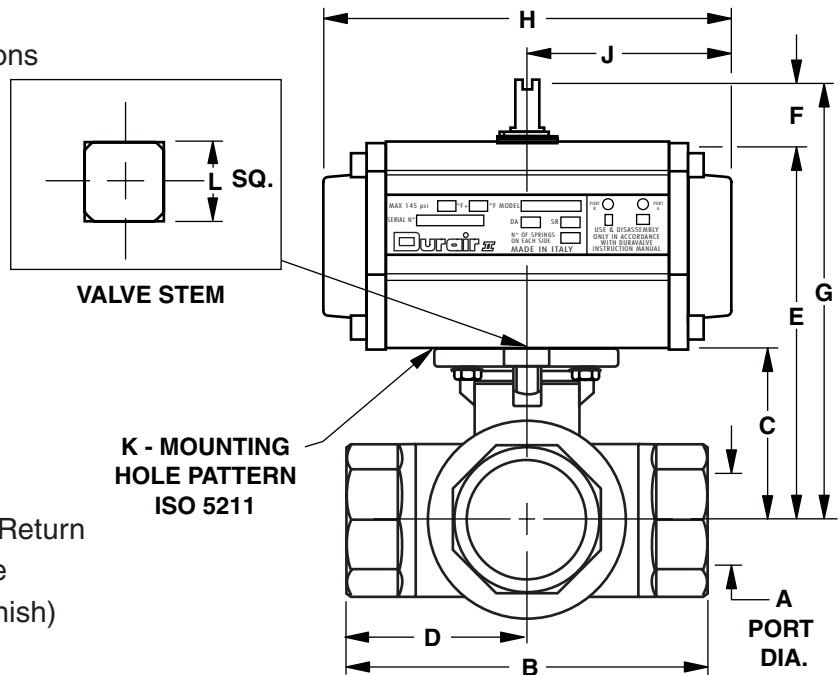


DURAVALVE MODEL DM3VT & DM3VL 3-WAY BALL VALVES

with DurAir II Pneumatic Actuator

VALVE FEATURES

- 3-Way Available in "T" and "L" Configurations
- Internal Entry Anti-Blowout Stem
- Adjustable "Live Loaded" Stem Seal
- Stainless Steel Cast Body and Ends
- Threaded Ends to ANSI B16.11
- Meets WW-V-35 Design Specifications
- ISO 5211 Direct Mounting Pad



ACTUATOR FEATURES

- ISO 5211 Mounting Pattern
- Aluminum Body
- Rack & Pinion Double Acting and Spring Return
- Low Friction Bearings and High Cycle Life
- Optional ENP (electroless nickel plated finish)

DOUBLE ACTING (Dimensions in inches)

Valve Size	Assembly No. w/"T" Port	Assembly No. w/"L" Port	Actuator Model No.	A	B	C	D	E	F	G	H	J	K	L
1/4	AS5500	AS5600	AP050	.43	2.84	1.52	1.42	4.15	.79	4.94	5.43	2.72	F03	.35
3/8	AS5501	AS5601	AP050	.47	2.84	1.52	1.42	4.15	.79	4.94	5.43	2.72	F03	.35
1/2	AS5502	AS5602	AP050	.47	2.84	1.52	1.42	4.15	.79	4.94	5.43	2.72	F03	.35
3/4	AS5503	AS5603	AP050	.59	3.27	1.61	1.64	4.24	.79	5.03	5.43	2.72	F03	.35
1	AS5504	AS5604	AP050	.79	3.90	1.93	1.95	4.56	.79	5.35	5.43	2.72	F04	.43
1-1/4	AS5505	AS5605	AP063	.98	4.42	2.17	2.21	5.44	.79	6.23	6.12	3.06	F04	.43
1-1/2	AS5506	AS5606	AP075	1.26	4.92	2.48	2.46	6.42	.79	7.21	8.27	4.14	F07	.55
2	AS5507	AS5607	AP075	1.50	5.87	2.91	2.94	6.85	.79	7.64	8.27	4.14	F07	.55

SPRING RETURN (Dimensions in inches)

Valve Size	Assembly No. w/"T" Port	Assembly No. w/"L" Port	Actuator Model No.	A	B	C	D	E	F	G	H	J	K	L
1/4	AS5510	AS5610	AP050	.43	2.84	1.52	1.42	4.15	.79	4.94	5.43	2.72	F03	.35
3/8	AS5511	AS5611	AP050	.47	2.84	1.52	1.42	4.15	.79	4.94	5.43	2.72	F03	.35
1/2	AS5512	AS5612	AP050	.47	2.84	1.52	1.42	4.15	.79	4.94	5.43	2.72	F03	.35
3/4	AS5513	AS5613	AP063	.59	3.27	1.61	1.64	4.88	.79	5.67	6.12	3.06	F04	.35
1	AS5514	AS5614	AP063	.79	3.90	1.93	1.95	5.20	.79	5.99	6.12	3.06	F04	.43
1-1/4	AS5515	AS5615	AP075	.98	4.42	2.17	2.21	6.11	.79	6.90	8.27	4.14	F05	.43
1-1/2	AS5516	AS5616	AP085	1.26	4.92	2.48	2.46	6.81	.79	7.60	8.97	4.49	F07	.55
2	AS5517	AS5617	AP100	1.50	5.87	2.91	2.94	7.83	.79	8.62	11.04	5.52	F07	.55

