

DURAVALVE MODEL DM 340 BALL VALVE

3-PIECE FULL PORT STAINLESS STEEL



VALVE FEATURES

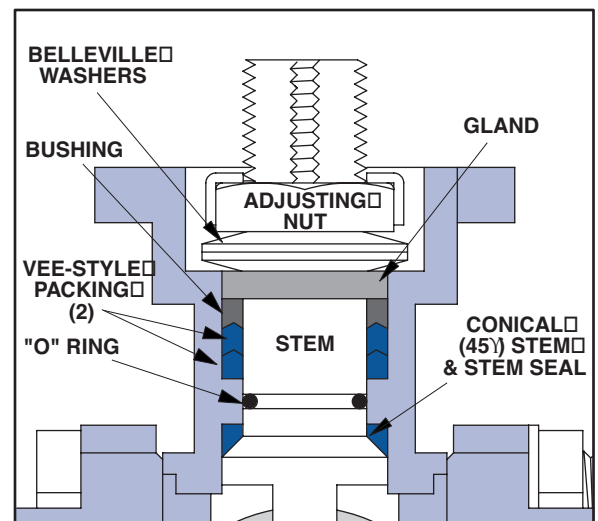
- 3-Piece Body, Full Port Design
- 1/4" to 3" Sizes
- Threaded or Socket-Weld Ends
- Body: CF8M, 316SS
- 316 Stainless Steel Ball and Stem
- RTFE Seats
- Pressure Rating: 1/4" – 1" 1500 PSI
1-1/4" and 1-1/2" 1250 PSI
2" 1000 PSI
2-1/2" and 3" 800 PSI
- Temperature Range: -20° F – 450° F

DESIGN ADVANTAGES

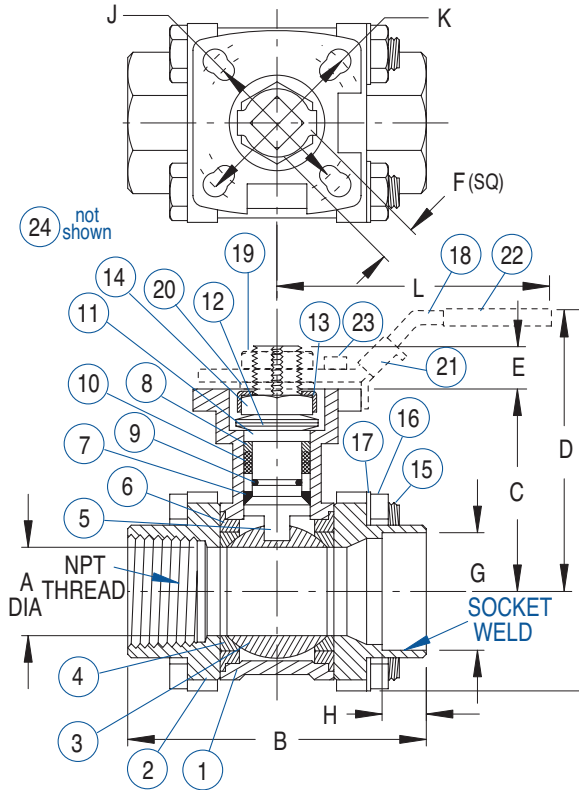
- ISO 5211 Direct Mounting Pad – provides for precise shaft alignment and eliminates the need for brackets and couplings
- 3-Piece Swing Out Design for easy maintenance
- Improved Seat Material – extends cycle life and reduces torque
- Blowout Proof Stem
- Anti-Static Device – standard in all sizes
- Locking Device for valves with handle
- Adjustable “Live Loaded” Stem Seal

STEM SEAL DESIGN

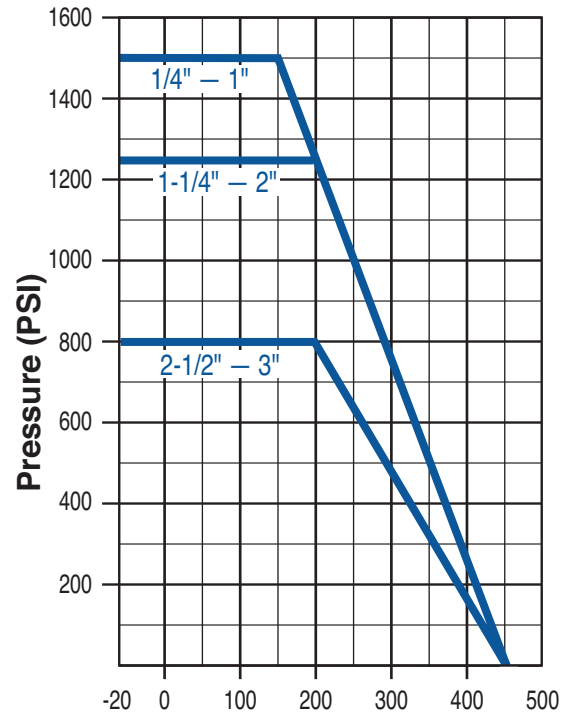
DuraValve's triple stem seal design provides for an extended valve cycle life. The primary seal is a tapered seal ring that fits firmly on a tapered portion of the stem shoulder. The secondary (back-up) seal is provided by an O-ring and a set of Vee packing rings, energized by belleville washers. This design adjusts packing compression to compensate for wear, pressure or temperature fluctuations.



DURAVALVE MODEL DM 340 BALL VALVE



PRESSURE/TEMPERATURE CURVE



DIMENSIONS IN INCHES

Valve Size	Part No.		A	B	C	D	E	F	G	H	J	K	L	Weight Lbs.	Cv	Torque In-#	ISO5211
	Threaded	Socket-Weld															
1/4"	30400AC	30401AC	0.45	2.50	1.65	3.06	0.30	0.35	0.555	0.38	1.42	1.65	5.50	1.41	8	50	F03/F04
3/8"	30400BC	30401BC	0.50	2.50	1.65	3.06	0.30	0.35	0.690	0.38	1.42	1.65	5.50	1.36	10	50	F03/F04
1/2"	30400CC	30401CC	0.59	2.62	1.65	3.06	0.30	0.35	0.855	0.38	1.42	1.65	5.50	1.46	15	50	F03/F04
3/4"	30400DC	30401DC	0.79	3.00	1.89	3.25	0.30	0.35	1.065	0.50	1.42	1.65	5.50	1.82	35	70	F03/F04
1"	30400EC	30401EC	0.99	3.38	2.23	3.88	0.43	0.43	1.330	0.50	1.65	1.97	6.50	2.75	60	100	F04/F05
1-1/4"	30400FC	30401FC	1.26	4.06	2.40	4.00	0.43	0.43	1.675	0.50	1.65	1.97	6.50	4.16	105	220	F04/F05
1-1/2"	30400GC	30401GC	1.50	4.68	3.05	5.00	0.54	0.55	1.915	0.50	1.97	2.76	8.50	6.98	138	390	F05/F07
2"	30400HC	30401HC	1.97	5.17	3.36	5.38	0.54	0.55	2.406	0.62	1.97	2.76	8.50	9.78	270	480	F05/F07
2-1/2"	30400JC	30401JC	2.56	6.46	4.28	6.63	0.66	0.67	2.906	0.62	2.76	4.02	10.38	19.63	380	1050	F07/F10
3"	30400KC	30401KC	3.15	7.19	4.63	7.00	0.66	0.67	3.535	0.62	2.76	4.02	10.38	25.92	580	1500	F07/F10

MATERIALS OF CONSTRUCTION

STANDARDS	
ANSI/ASME.....	B16.11
ISO.....	5211
MSS.....	SP25, SP72

Note: The right is reserved to change or modify product design or construction without prior notice and without incurring any obligation to make such changes or modifications on products previously or subsequently sold.

Item	Description	Material	Quantity	Item	Description	Material	Quantity
1.	Body	CF8M (316SS)	1	12.	Belleville Washer	301 SS	2
2.	End Adapters- Thd End Weld End	CF8M (316SS) CF3M (316L)	2	13.	Lock Saddle	304 SS	1
3.	Ball	316 SS	1	14.	Adjusting Nut	304 SS	1
4.	Seat	RTFE	2	15.	Bolt	304 SS	4
5.	Stem	316 SS	1	16.	Nut	304 SS	4
6.	End Seal	PTFE	2	17.	Washer	304 SS	4
7.	Thrust Washer	RTFE	1	18.	Handle*	304 SS	1
8.	Bushing	RTFE	1	19.	Handle Nut*	304 SS	1
9.	O-ring	Viton	1	20.	Stem Washer*	304 SS	1
10.	Packing	PTFE	2	21.	Locking Device*	304 SS	1
11.	Gland	304 SS	1	22.	Handle Sleeve*	Vinyl	1
				23.	Stop Pin*	304 SS	1
				24.	Anti-Static Device	304 SS	1

*Handle and associated components optional.

