

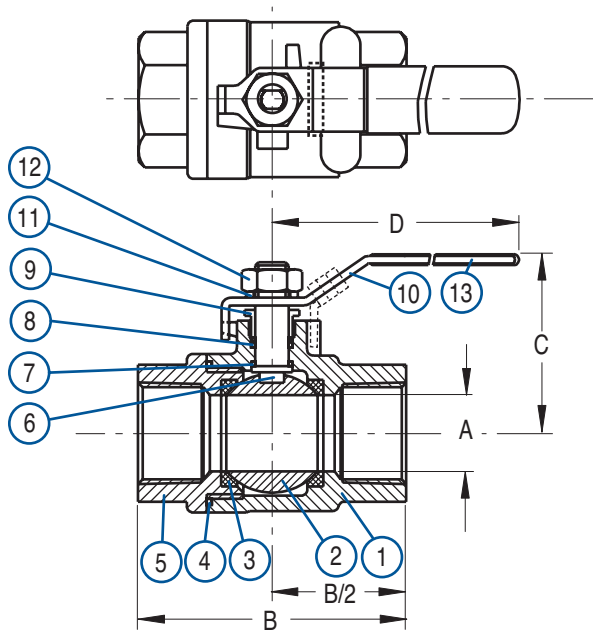
# DURAVALVE MODEL D260 BALL VALVE

## HEAVY 2-PIECE FULL PORT 316 STAINLESS STEEL



### FEATURES AND SPECIFICATIONS

- 1/4" to 2" Sizes
- Adjustable Stem Packing
- End Connections: NPT Threads to ANSI B2.1
- Internal Entry Anti-Blowout Stem
- Latch-Lock Handle
- Maximum Pressure: 1500 PSI Sizes 1/4" – 1"  
1250 PSI Sizes 1-1/4" – 2"
- Temperature Range: -20° F – 450° F
- Meets WW-V-35 Design Specifications



### MATERIALS OF CONSTRUCTION

Item	Description	Material	Qty.
1.	Body	CF8M	1
2.	Ball	CF8M	1
3.	Seat	RTFE	2
4.	End Gasket	PTFE	1
5.	End Cap	CF8M	1
6.	Stem	316 SS	1
7.	Thrust Washer	RTFE	1
8.	Stem Packing	PTFE	1
9.	Gland Nut	304 SS	1
10.	Handle	304 SS	1
11.	Washer	304 SS	1
12.	Nut	304 SS	1
13.	Handle Sleeve	Vinyl	1

### DIMENSIONS IN INCHES

Valve Size	Part Number	A	B	C	D	Weight Lbs.
1/4"	20600A	.46	2.14	2.20	4.20	.60
3/8"	20600B	.49	2.14	2.20	4.20	.60
1/2"	20600C	.55	2.40	2.30	4.60	.82
3/4"	20600D	.78	2.76	2.30	4.60	1.10
1"	20600E	1.00	3.25	2.70	5.75	1.74
1-1/4"	20600F	1.26	3.60	3.10	5.75	2.74
1-1/2"	20600G	1.50	4.45	3.45	6.50	3.95
2"	20600H	2.00	4.90	3.80	7.50	6.30

### PRESSURE/TEMPERATURE CURVE

