

# DURAVALVE MODEL D220 BALL VALVE

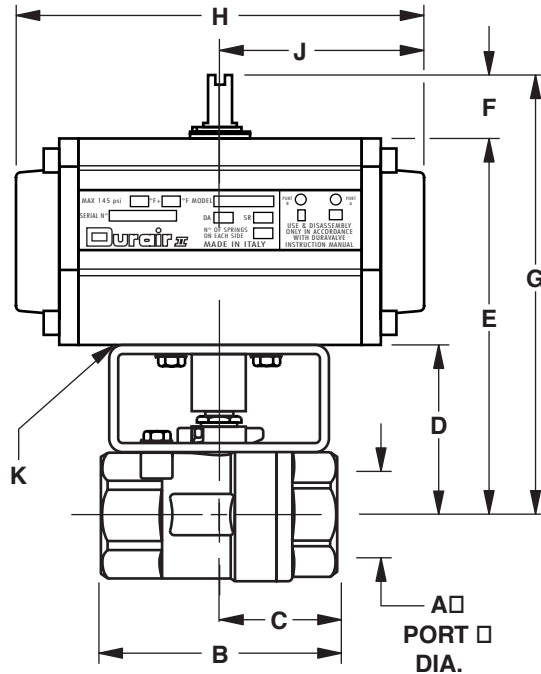
## with DurAir II Pneumatic Actuator

### VALVE FEATURES

- Internal Entry Anti-Blowout Stem
- Adjustable Vee Style Stem Packing
- Stainless Steel Cast Body and End
- Threaded Ends to ANSI B2.1
- Meets WW-V-35 Design Specifications

### ACTUATOR FEATURES

- ISO 5211 Mounting Pattern
- Aluminum Body
- Rack & Pinion Double Acting and Spring Return
- Low Friction Bearings and High Cycle Life
- Optional ENP (electroless nickel plated finish)



### DOUBLE ACTING (Dimensions in inches)

Valve Size	Assembly No	Actuator Model No.	A	B	C	D	E	F	G	H	J	K
1/4	AS5000	AP032	.38	2	1	2-1/16	3-13/16	13/16	4-5/8	3-11/16	1-27/32	F03
3/8	AS5001	AP032	.46	2	1	2-1/16	3-13/16	13/16	4-5/8	3-11/16	1-27/32	F03
1/2	AS5002	AP032	.50	2-3/8	1-3/16	2-1/8	3-7/8	13/16	4-11/16	3-11/16	1-27/32	F03
3/4	AS5003	AP050	.59	2-3/4	1-3/8	2-11/16	5-5/16	13/16	6-1/8	5-7/16	2-23/32	F04
1	AS5004	AP050	.79	3-1/4	1-5/8	2-13/16	5-7/16	13/16	6-1/4	5-7/16	2-23/32	F04
1-1/4	AS5005	AP063	1.00	3-5/8	1-13/16	2-7/8	6-1/8	13/16	6-15/16	6	3	F05
1-1/2	AS5006	AP063	1.26	4-1/8	2-1/16	3-3/16	6-7/16	13/16	7-1/4	6	3	F05
2	AS5007	AP075	1.50	4-5/8	2-5/16	3-1/2	7-1/2	13/16	8-5/16	7-7/8	3-15/16	F05/F07

### SPRING RETURN (Dimensions in inches)

Valve Size	Assembly No	Actuator Model No.	A	B	C	D	E	F	G	H	J	K
1/4	AS5010	AP050	.38	2	1	2-1/16	4-11/16	13/16	5-1/2	5-7/16	2-23/32	F04
3/8	AS5011	AP050	.46	2	1	2-1/16	4-11/16	13/16	5-1/2	5-7/16	2-23/32	F04
1/2	AS5012	AP050	.50	2-3/8	1-3/16	2-1/8	4-3/4	13/16	5-9/16	5-7/16	2-23/32	F04
3/4	AS5013	AP050	.59	2-3/4	1-3/8	2-11/16	5-5/16	13/16	6-1/8	5-7/16	2-23/32	F04
1	AS5014	AP063	.79	3-1/4	1-5/8	2-13/16	6-1/16	13/16	6-7/8	6	3	F05
1-1/4	AS5015	AP075	1.00	3-5/8	1-13/16	2-7/8	6-7/8	13/16	7-11/16	7-7/8	3-15/16	F05/F07
1-1/2	AS5016	AP075	1.26	4-1/8	2-1/16	3-3/16	7-3/16	13/16	8	7-7/8	3-15/16	F05/F07
2	AS5017	AP085	1.50	4-5/8	2-5/16	3-1/2	7-7/8	13/16	8-11/16	9-1/16	4-17/32	F05/F07

