

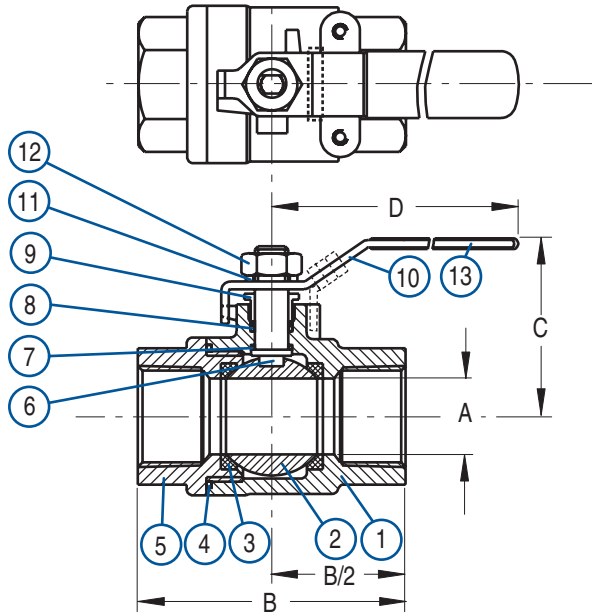
DURAVALVE MODEL D200 BALL VALVE

2-PIECE FULL PORT 316 STAINLESS STEEL 1000 PSI



FEATURES AND SPECIFICATIONS

- 1/4" to 3" Sizes
- Adjustable Vee Style Stem Packing
- NTP Threaded Ends to ANSI B2.1
- Internal Entry Blow-Out Proof Stem
- Latch-Lock Handle
- Actuator Mounting Pad
- Pressure Rating: 1000 PSI Maximum
- Temperature Range: -20° F – 450° F
- Meets WW-V-35 Design Specifications



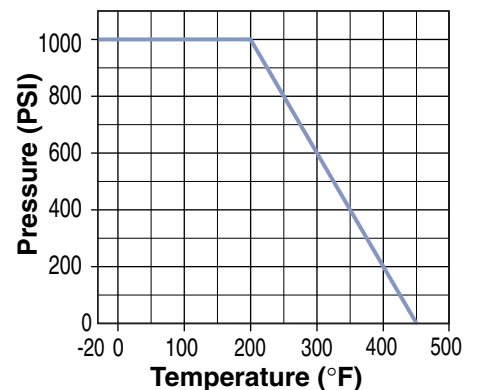
MATERIALS OF CONSTRUCTION

Item	Description	Material	Qty.
1.	Body	CF8M	1
2.	Ball	CF8M	1
3.	Seat	RTFE	2
4.	End Gasket	PTFE	1
5.	End Cap	CF8M	1
6.	Stem	316 SS	1
7.	Thrust Washer	RTFE	1
8.	Stem Packing	PTFE	1
9.	Gland Nut	304 SS	1
10.	Handle	304 SS	1
11.	Washer	304 SS	1
12.	Nut	304 SS	1
13.	Handle Sleeve	Vinyl	1

DIMENSIONS IN INCHES

Valve Size	Part Number	A	B	C	D	Weight Lbs.	Cv	Torque In.- Lb.
1/4	20100A	.46	2.12	1.97	3.78	.51	7	40
3/8	20100B	.46	2.12	1.97	3.78	.51	9	40
1/2	20100C	.59	2.52	2.08	5.12	.84	11	60
3/4	20100D	.79	2.95	2.52	5.12	1.17	24	80
1	20100E	.98	3.42	2.60	5.91	2.03	45	120
1-1/4	20100F	1.26	3.97	3.11	5.91	2.90	90	240
1-1/2	20100G	1.50	4.33	3.26	6.69	4.16	125	420
2	20100H	1.97	5.19	3.70	6.69	6.90	190	560
2-1/2	20100J	2.56	6.57	4.52	9.05	15.50	240	1100
3	20100K	3.15	7.60	4.92	9.05	23.20	425	1600

PRESSURE/TEMPERATURE CURVE



847-437-7000

• 800-776-1260

• FAX 847-437-7005

• www.duravalve.com