

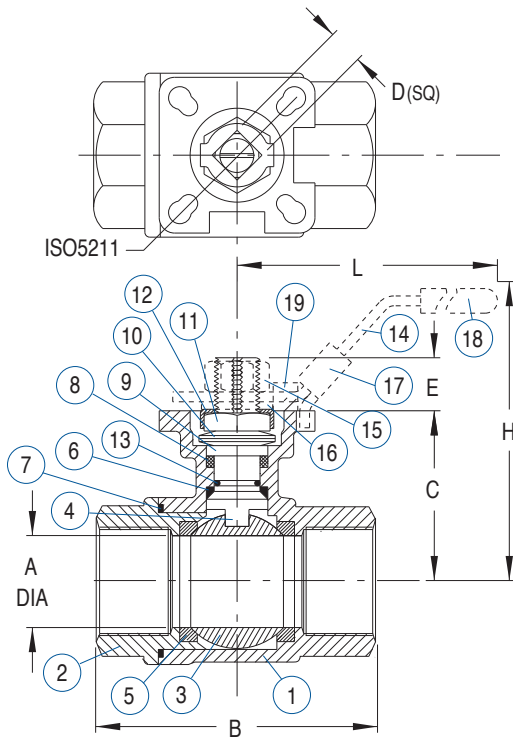
DURAVALVE MODEL V4000 BALL VALVE

2-PIECE FULL PORT STAINLESS STEEL



FEATURES AND SPECIFICATIONS

- 1/2" to 3" Sizes
- Maximum Pressure: 1/2" – 1-1/2" Sizes 1000 PSI
2" Size 800 PSI
2-1/2" and 3" Sizes 600 PSI
- Temperature Range: -20° F – 400° F
- Blowout Proof Stem
- ISO5211 Direct Mounting Pad
- Adjustable "Live Loaded" Stem Seal
- NPT Threads: ASME B1.20.1
- Optional Latch-Lock Handle



MATERIALS OF CONSTRUCTION

Item	Description	Material	Quantity
1.	Body	CF8M (316SS)	1
2.	Body End	CF8M (316SS)	1
3.	Ball	CF8M (316SS)	1
4.	Stem	316 SS	1
5.	Seat	PTFE	2
6.	Thrust Washer	RTFE	1
7.	Body Seal	PTFE	1
8.	Stem Packing	PTFE	1
9.	Gland Ring	304 SS	1
10.	Bellview Washer	304 SS	2
11.	Adjusting Nut	304 SS	1
12.	Lock Saddle	304 SS	1
13.	O' Ring	Viton®	1
14.	Handle*	304 SS	1
15.	Handle Nut*	304 SS	1
16.	Stem Washer*	304 SS	1
17.	Locking Device*	304 SS	1
18.	Handle Sleeve*	PVC	1
19.	Stop Pin*	304 SS	1

*Handle and associated components optional.

DIMENSIONS IN INCHES

Size	Part No.	A	B	C	D	E	H	L	ISO5211
1/2"	80600C	0.59	2.28	1.49	0.35	0.35	2.35	5.75	F03/F04
3/4"	80600D	0.78	2.56	1.67	0.35	0.35	2.94	5.75	F03/F04
1"	80600E	1.00	3.03	1.77	0.43	0.43	3.05	6.50	F04/F05
1-1/4"	80600F	1.26	3.54	2.03	0.43	0.43	3.30	6.50	F04/F05
1-1/2"	80600G	1.50	3.86	2.34	0.55	0.55	3.73	7.50	F05/F07
2"	80600H	1.97	4.67	2.70	0.55	0.55	4.08	7.50	F05/F07
2-1/2"	80600J	2.52	6.14	3.88	0.67	0.67	5.13	14.50	F07/F10
3"	80600K	3.00	7.32	4.25	0.67	0.67	5.50	14.50	F07/F10

PRESSURE/TEMPERATURE CURVE

