

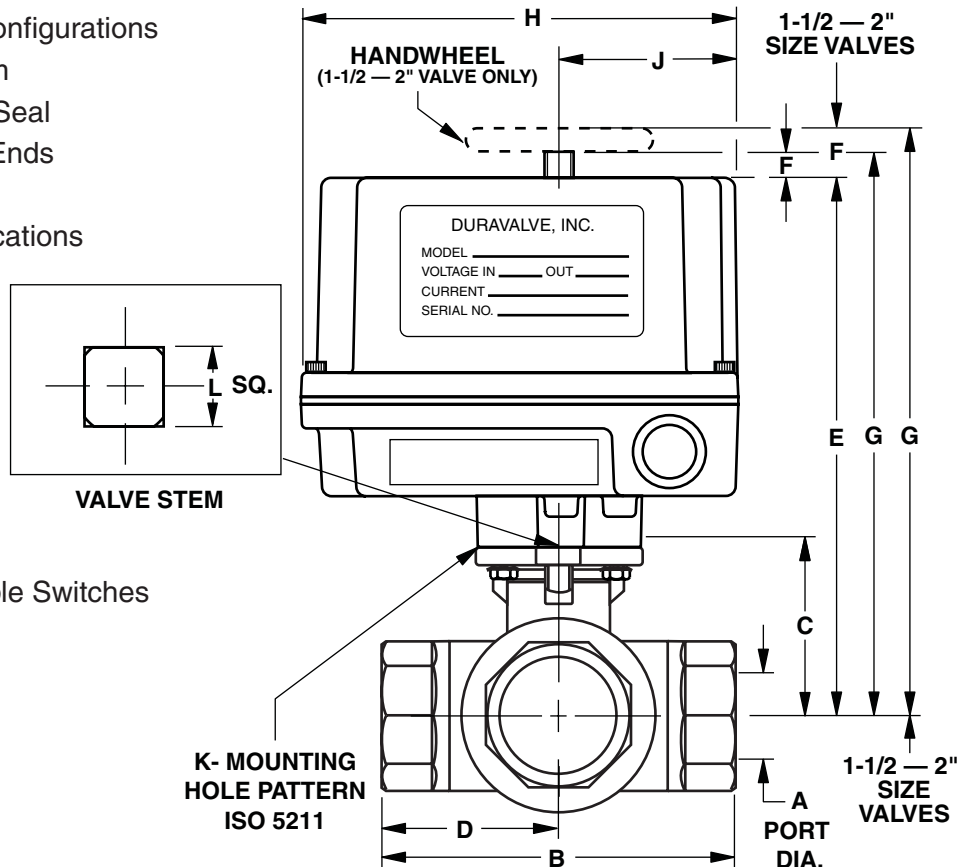
DURAVALVE MODEL DM3VT & DM3VL 3-WAY BALL VALVES with Electric Actuator

VALVE FEATURES

- 3-Way Available in "T" and "L" Configurations
- Internal Entry Anti-Blowout Stem
- Adjustable "Live Loaded" Stem Seal
- Stainless Steel Cast Body and Ends
- Threaded Ends to ANSI B16.11
- Meets WW-V-35 Design Specifications
- ISO 5211 Direct Mounting Pad

ACTUATOR FEATURES

- ISO 5211 Mounting Pattern
- Heavy Duty Gears
- Permanently Lubricated
- 2 SPDT Independently Adjustable Switches
- Thermal Overload Protection
- 6 Position Terminal Strip
- Wired for Light Indication



(Dimensions in inches)

Valve Size	Assembly No. w/"T" Port	Assembly No. w/"L" Port	Actuator Model No.	A	B	C	D	E	F	G	H	J	K	L
1/4	EA5500	EA5600	DR-2A	.43	2.84	1.52	1.42	6.27	.38	6.65	5.63	2.31	F03	.35
3/8	EA5501	EA5601	DR-2A	.47	2.84	1.52	1.42	6.27	.38	6.65	5.63	2.31	F03	.35
1/2	EA5502	EA5602	DR-2A	.47	2.84	1.52	1.42	6.27	.38	6.65	5.63	2.31	F03	.35
3/4	EA5503	EA5603	DR-2A	.59	3.27	1.61	1.64	6.36	.38	6.74	5.63	2.31	F03	.35
1	EA5504	EA5604	DSR-5	.79	3.90	1.93	1.95	7.31	.50	7.81	6.88	4.45	F05	.43
1-1/4	EA5505	EA5605	DSX-5	.98	4.42	2.17	2.21	7.55	.50	8.05	6.88	4.45	F05	.43
1-1/2	EA5506	EA5606	DSH-10	1.26	4.92	2.48	2.46	9.22	1.25	10.47	7.00	4.62	F07	.55
2	EA5507	EA5607	DMR-15	1.50	5.87	2.91	2.94	9.65	1.25	10.90	7.00	4.62	F07	.55

